

DUAL AXIS SERVO CONTROLLED WRAPPERS FOR SPEEDS TO 120 PPM

Continuous Motion Wrappers Available in Side Seal or Lap Seal Models

The S-Series is available with a number of plug and play infeeds to fit your present and future needs. This state of the art motion control platform consists of Allen/Bradley **CompactLogix PLC w/Sercos communication** and **Color Touch Screen**. **Kinetix drives** for **Dual-Axis Servo** cross seal and three 1 HP Direct Drive Vector motors drive the side seal, traveling belt and infeed conveyors. The cross seal can operate in **Programmable Cam** or package activated **AutoLength** mode, it can also be operated in **Random Length** mode. The **Programmable Orbit** feature produces strong, quality seals with all commercial shrink films. This platform offers high speed operation, repeatability, low maintenance, reliability and extraordinary flexibility.



Extreme Packaging Machinery, Inc. manufactures machinery of the highest quality. We employ the newest technologies to offer the most versatile, low maintenance, user friendly, efficient and reliable systems available. Our extensive list of standard features is un-matched by any manufacturer.

Quality and Workmanship State of the Art controls, Heavy duty welded frame, Double powder coat and stainless steel finish, Over size drives, Cross Seal bars with Multi-zone heater design and attention to detail by skilled craftsman.

Versatility Multiple frame and cross seal sizes, wide range of plug and play infeed choices and large selection of options and accessories, allows the customer to build the machine that fits their needs. The side and cross seal will run polyolefin, polyethylene and PVC films.

Low Maintenance Direct drive motors eliminate chains, sprockets, tensioners and the need for lubrication or any maintenance in those areas. Self cleaning side seal element only touches the film, it does not use any back up wheels, rubber rollers or separate cutting devices that require maintenance or replacement. Non stick ceramic Teflon coated cross seal bars resists build up.

User Friendly Color Touch Screen on Swivel allows two sided operation, stores 100 package set-ups and includes **Self Diagnostics** and trouble shooting guide. Tool less change over. Large Gull Wing doors allow easy access to major machine assemblies for periodic cleaning and inspection.

Efficiency Efficient film usage is due to the direct film delivery path and side seal design. Dancer Bar Controlled Selvage Winder controls film trim tension so that minimal waste is produced. Digitally controlled bag length produces consistent packages for optimum display of your product. Step by Step programming and large library recipe storage yields maximum up time during product change over.

S-SERIES GENERAL SPECIFICATIONS

Film Speed:	150 Feet Per Minute
Packages per Minute:	120
Cross Seal Type:	4 variations with multi-zone heaters
Film Types:	Polyolefin, LDPE, PVC
Operator Controls:	Color Touch Screen on Swivel
Electrical Requirements:	208/240 VAC, 60 Amps Peak, 3 Ph, 60 HZ
Air Requirements:	.5 CFM @ 40 PSI

S18 SPECIFIC

Cross Seal Dimensions:	20" W x 8.5" H
Maximum Package Dimensions:	Infinite L x 18" W x 8" H
Film Width:	25" CF MAX
Tunnel Match:	XT18

S24 SPECIFIC

Cross Seal Dimensions:	26" W x 12.5" H
Maximum Seal Dimensions:	Infinite L x 24" W x 12" H
Film Width:	31" CF MAX
Tunnel Match:	XT30

S30 SPECIFIC

Cross Seal Dimensions:	33" W x 12.5" H
Maximum Seal Dimensions:	Infinite L x 30" W x 12" H
Film Width:	38" CF MAX
Tunnel Match:	XT30



XT18 & XT30 HIGH SPEED SHRINK TUNNELS

General Specifications:

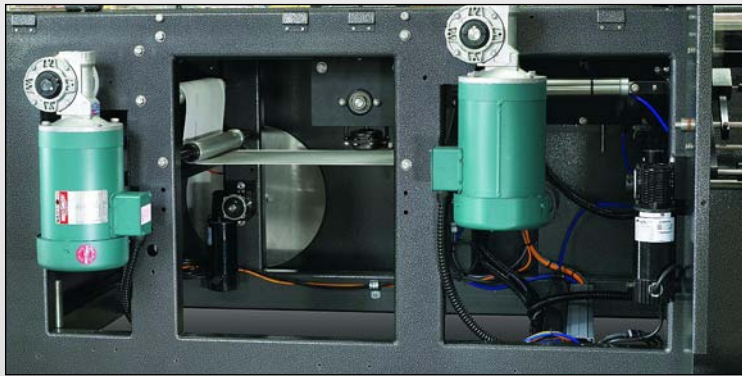
Electrical Requirements:	208/240 VAC, 60 Amps, 3 Phase, 60 HZ
Conveyor Speed:	Up to 180 Feet per Minute
Operator Controls:	Right Hand
Heater:	15 KW

XT18 Specifications:

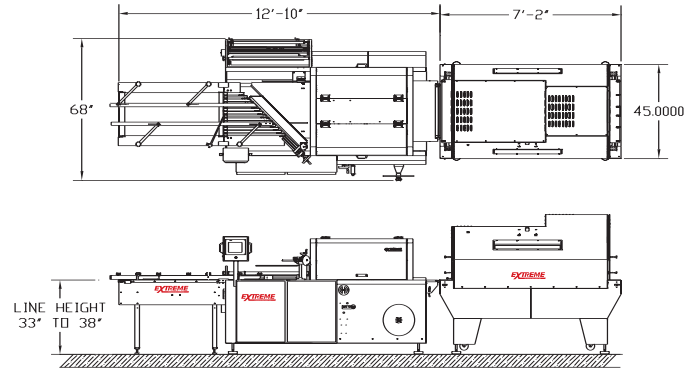
Chamber Dimensions:	21" Wide x 12.5" Tall x 73" Long
Dimensions:	18" Wide x 86" Long

XT30 Specifications:

Chamber Dimensions:	33" Wide x 16" Tall x 73" Long
Conveyor Dimensions:	30" Wide x 86" Long



Direct drives eliminate chains, sprockets, take ups or need for maintenance or lubrication. **Cross seal** runs on four 1" linear bearing shafts. Both features provide smooth high speed operation and reliability.



S24-B AND XT30

Standard Plug & Play Infeeds

B-Belt to Belt infeed integrates into existing production lines.

DC-Dual Chain infeed has a rugged design, wide flat pushers for product control, and will accept multiple feeders.

F-Flighted Pin Infeed, with quick change pusher pins are ideal for fast spacing changes.

FB-Flighted Bar infeed is ideal for multi-packs and odd shaped products, offered in 9' to 18' lengths.

G-Gated infeed has a 4' accumulation conveyor, a positive stop product gate, an acceleration conveyor and product pusher pins

CBB-Servo compression belt to belt infeed.

CBF-Servo compression belt to flight.



Compact Dual Roll
Powered Centerfolder



Adjustable Perforator
with Brush Roller

For more details including line layouts, infeed systems, other machines and videos visit our website.

Extreme Packaging Machinery, Inc: Phone: 949-888-7221 • 22831 Avenida Empesa • Rancho Santa Margarita, CA 92688